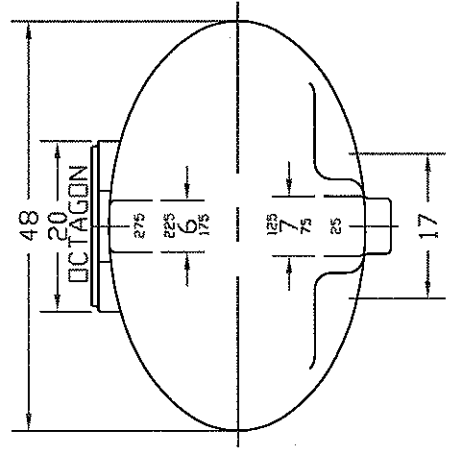
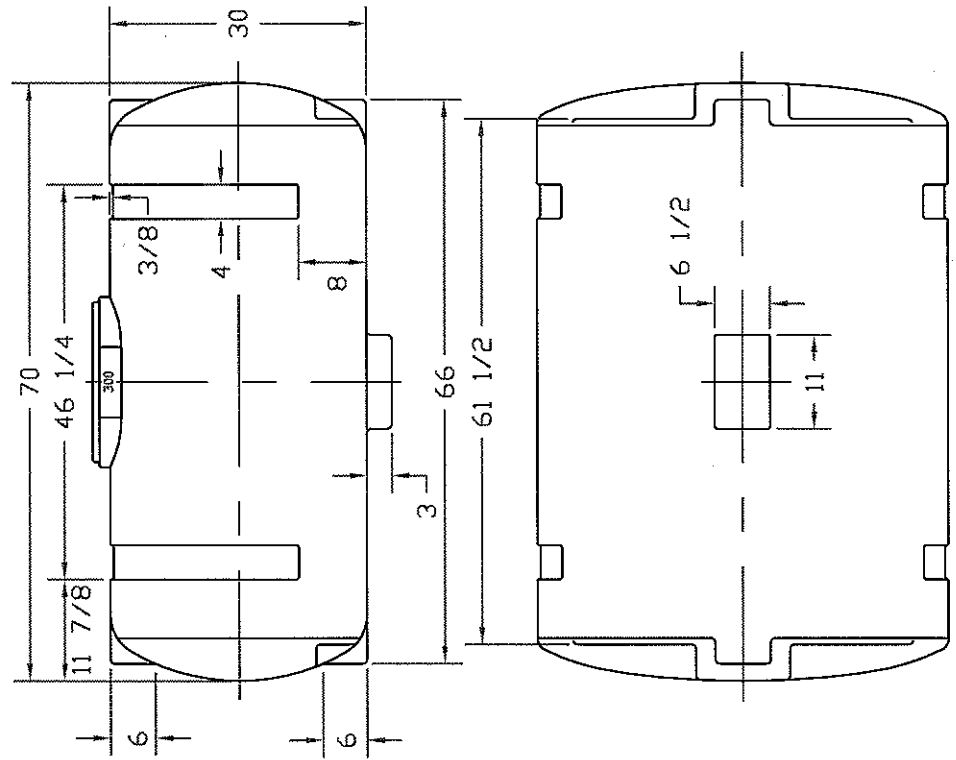
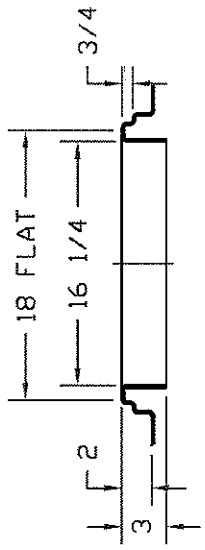


REVISIONS				
ZONE	REV	DESCRIPTION	DATE	APPROVED
	A	REDRAWN--FILL WAS 8"	21NOV95	



CL (4) SPARGER FLATS, 6 X 6



FILLWELL DETAIL

<b>NORWESCO</b>		ST. BONIFACIUS, MN	
300 GALLON ELLIPTICAL		SPRAYER TANK	
JTP	21NOV95	SIZE B	FSCM NO.
		SCALE 1/16	DWG NO.
			REV A
			SHEET